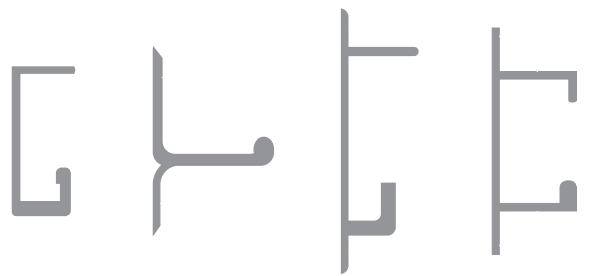




# GUIDE TO SLIDING DOOR TRACK SYSTEMS

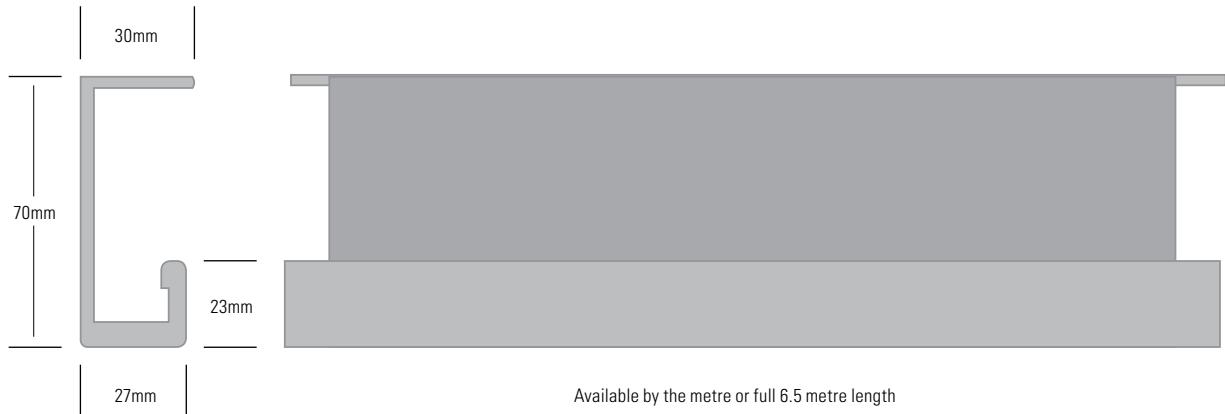


COMMERCIAL  
TRACK

J-TRACK

INDUSTRIAL  
TRACK

THERMAL  
TRACK



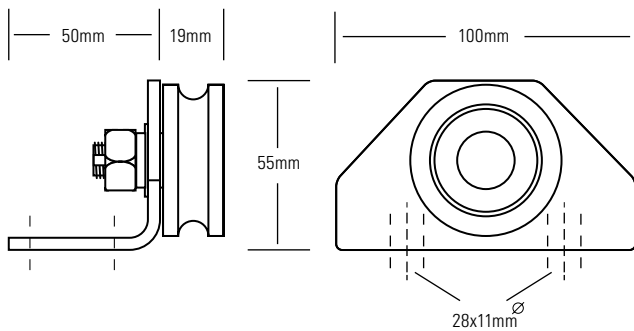
Available by the metre or full 6.5 metre length

**COMMERCIAL WHEEL ASSEMBLY**

**W18 / W18W**

Australian made 50mm wheel with stainless steel bracket and fittings.

Available in mill or powder coated surfmist (W).

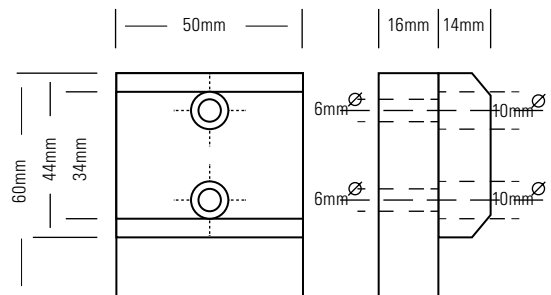


**BLOCK DOOR STOP**

**S10C**

Block door stop designed to suit commercial track.

Includes 2 x self drilling screws.



**50MM DELRIN WHEEL & AXLE ASSEMBLY**

**W12**

Australian made 50mm Delrin wheel, 12mm ID bearing with stainless steel axle, washer and nut.



**50MM DELRIN WHEEL**

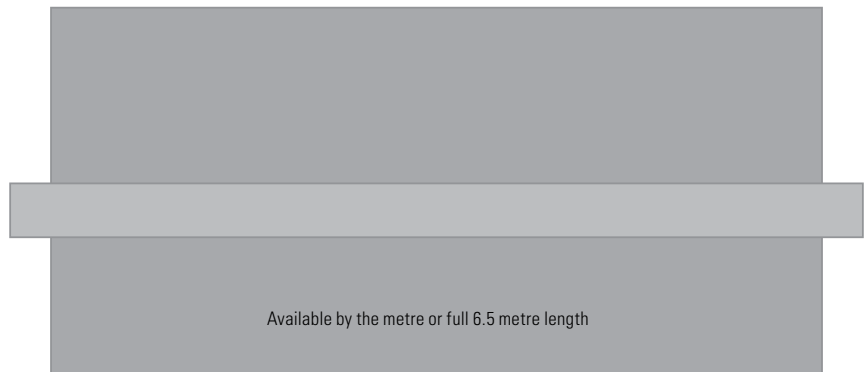
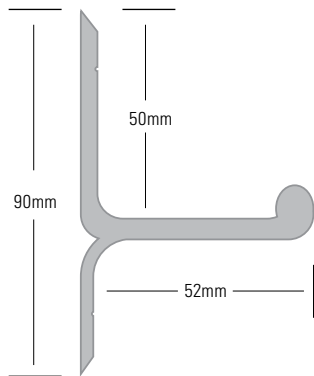
**W09**

Australian made 50mm Delrin wheel, 12mm ID bearing and circlip.



**FOR FURTHER ASSISTANCE ON DOOR SEALS OR ANY OTHER HARDWARE QUESTION CALL BNL SUPPLY ON (02) 9521 2007**

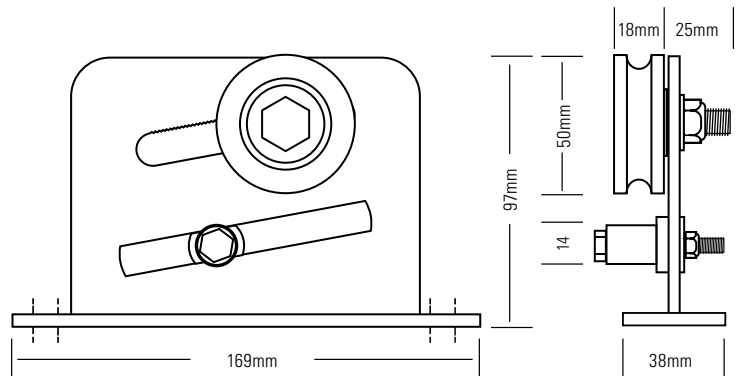
Alternatively email [peter@bnl.com.au](mailto:peter@bnl.com.au) or [david@bnl.com.au](mailto:david@bnl.com.au)



**J TRACK WHEEL ASSEMBLY**

W01 (CP-10 or Cowdroy Wheel)

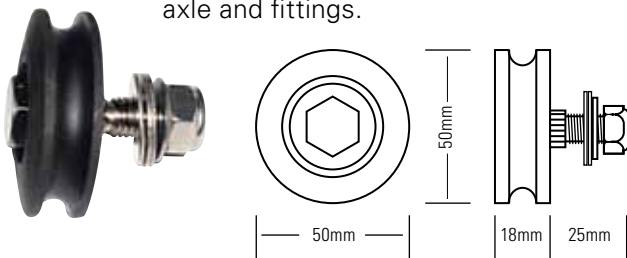
Stainless steel bracket with 50mm wheel.



**50MM WHEEL & AXLE ASSEMBLY**

W02

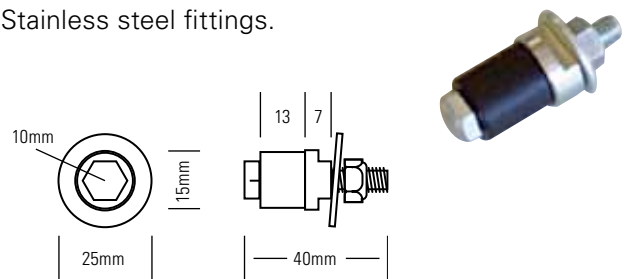
50mm wheel with stainless steel axle and fittings.



**CP10 ANTI JUMP ROLLER**

W05

Stainless steel fittings.



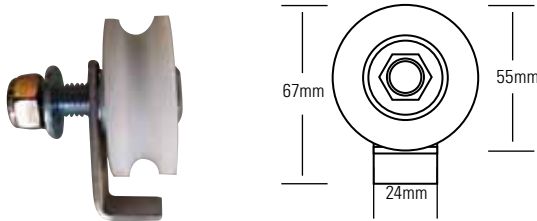
**FOR FURTHER ASSISTANCE ON DOOR SEALS OR ANY OTHER HARDWARE QUESTION CALL BNL SUPPLY ON (02) 9521 2007**

Alternatively email [peter@bnl.com.au](mailto:peter@bnl.com.au) or [david@bnl.com.au](mailto:david@bnl.com.au)

## 55MM WHEEL AND AXLE ASSEMBLY

W20

55mm wheel with zinc plated fittings and anti jump bracket.

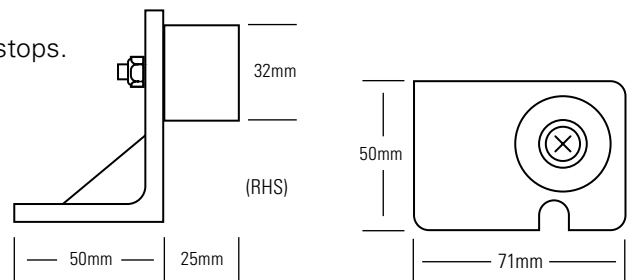


## J TRACK DOOR STOPS

S01L / S01R (S01LW / S01RW)

Aluminium mill or a powder coated surfmist (W) finish door stops.

Available as left or right hand side.

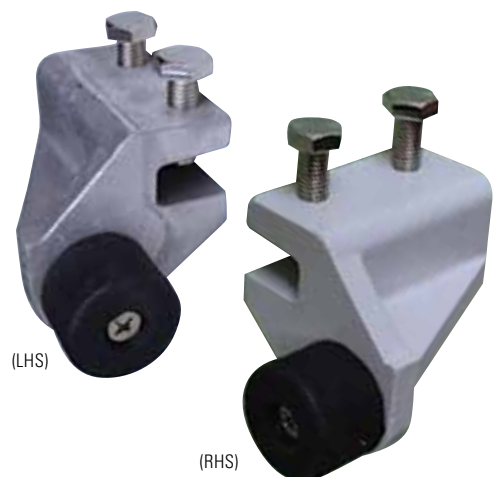
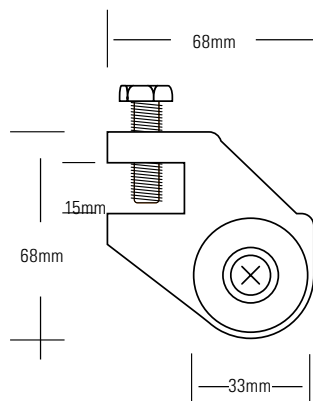
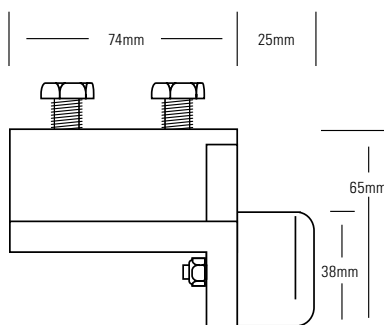


## OFFSET ADJUSTABLE DOOR STOP

S09L / S09R (S09LW / S09RW)

High pressure die cast aluminium mounting in mill or a powder coated surfmist (W) finish. Comes with large rubber stop and stainless steel fittings.

Available in left or right hand side.



**FOR FURTHER ASSISTANCE ON DOOR SEALS OR ANY OTHER HARDWARE QUESTION CALL BNL SUPPLY ON (02) 9521 2007**

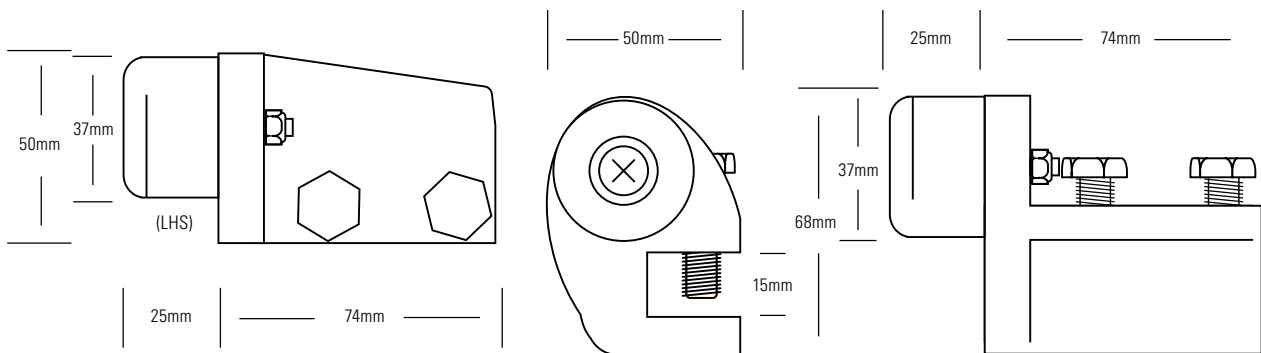
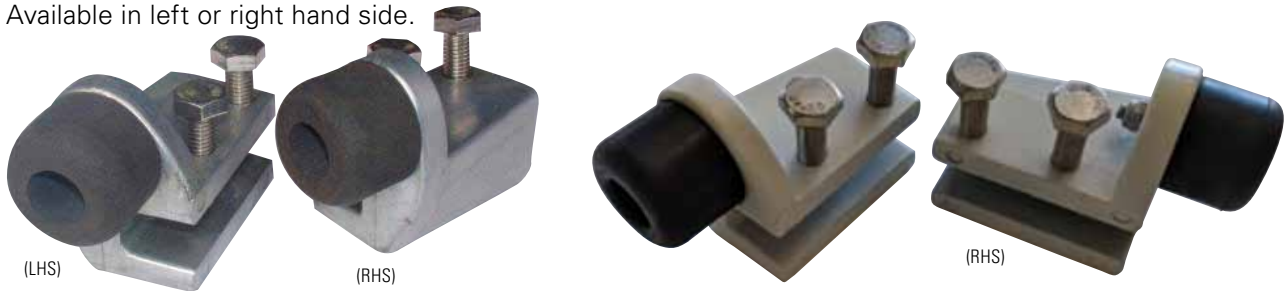
Alternatively email [peter@bnl.com.au](mailto:peter@bnl.com.au) or [david@bnl.com.au](mailto:david@bnl.com.au)

**ADJUSTABLE DOOR STOP**

**S13L/S13R (S13LW /S13RW)**

A robust heavy duty door stop to suit J Track, in either mill or a powder coated surfmist (W) finish.

Available in left or right hand side.



**FOR FURTHER ASSISTANCE ON DOOR SEALS OR ANY OTHER HARDWARE QUESTION CALL BNL SUPPLY ON (02) 9521 2007**

Alternatively email [peter@bnl.com.au](mailto:peter@bnl.com.au) or [david@bnl.com.au](mailto:david@bnl.com.au)

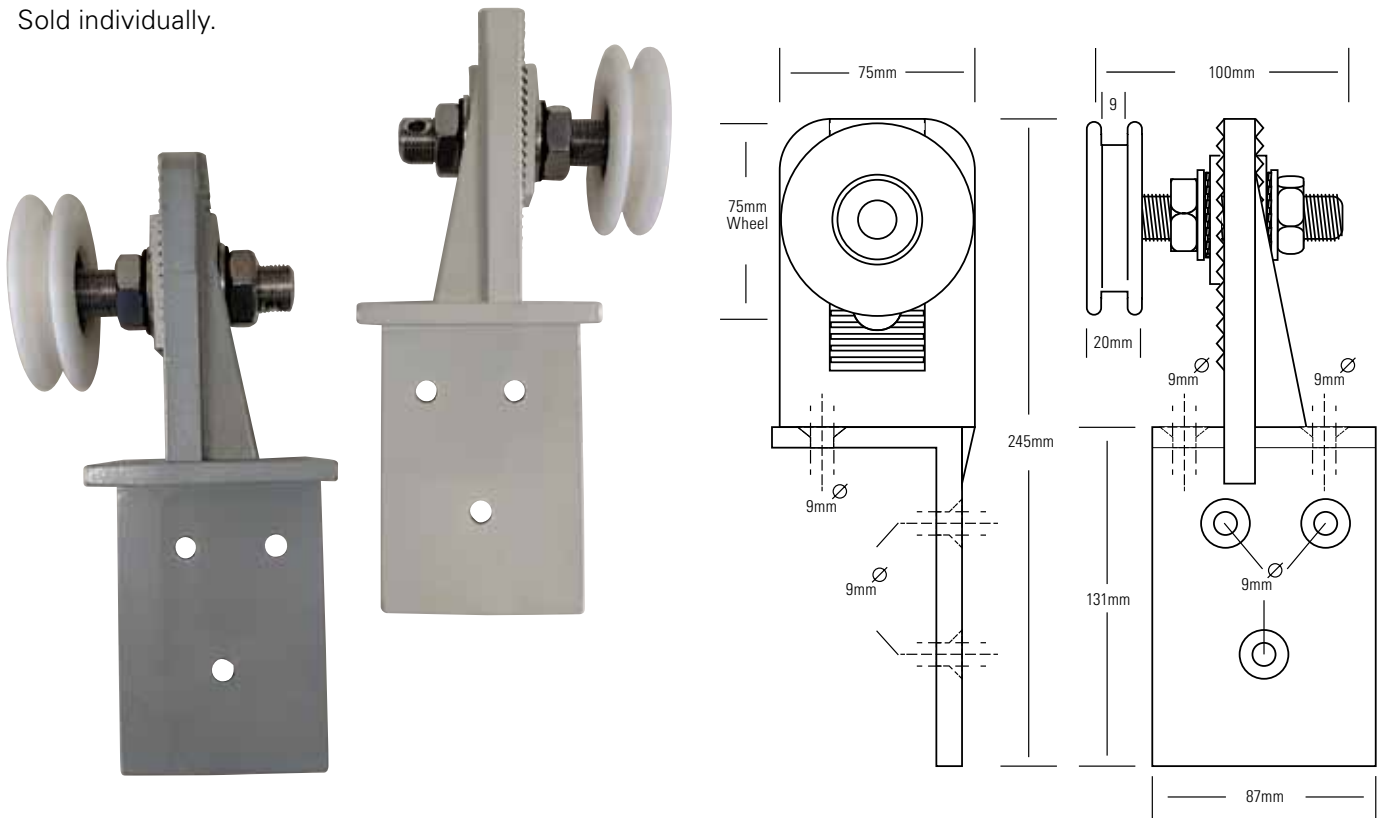


**LARGE HANGING ROLLER ASSEMBLY**

W13R / W13L (W13RW / W13LW)

Right and left handed powder coated grey or surfmist (W) brackets with stainless steel fittings and 75mm Delrin wheel.

Sold individually.



**FOR FURTHER ASSISTANCE ON DOOR SEALS OR ANY OTHER HARDWARE QUESTION CALL BNL SUPPLY ON (02) 9521 2007**

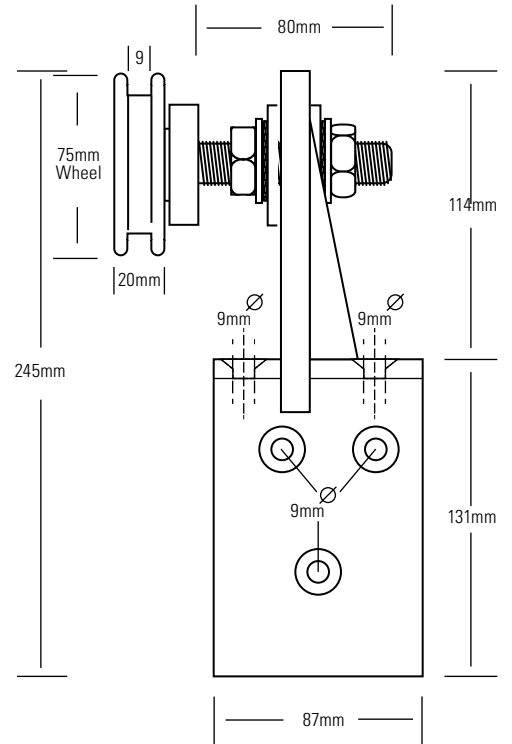
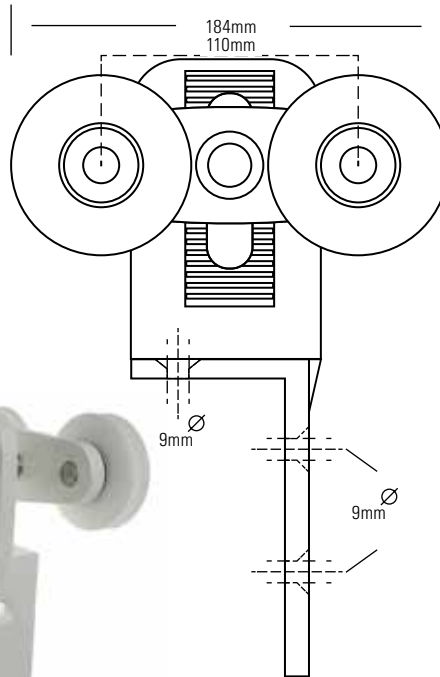
Alternatively email [peter@bnl.com.au](mailto:peter@bnl.com.au) or [david@bnl.com.au](mailto:david@bnl.com.au)

**DOUBLE BOGIE HANGING ROLLER ASSEMBLY WITH 75MM WHEEL**

W14R / W14L (W14RW / W14LW)

Right and left handed powder coated grey or surfmist (W) brackets with double bogie hanger, stainless steel fittings and 75mm Delrin wheel.

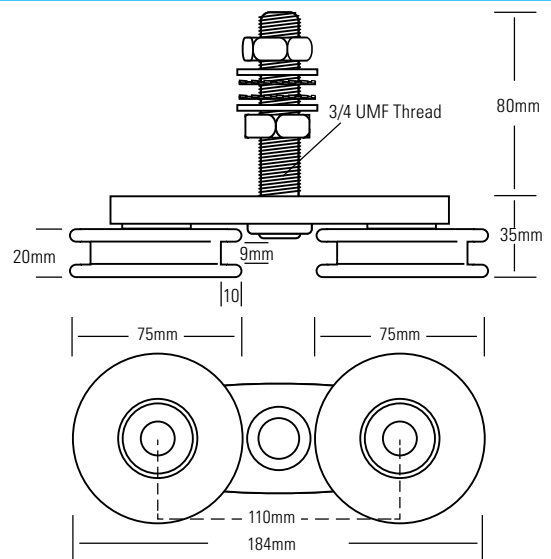
Sold individually.



**DOUBLE BOGIE 75MM WHEEL AND AXLE ASSEMBLY**

W16 (W16W)

Powder coated grey or surfmist (W) white double bogie with 75mm Delrin wheels and stainless steel fittings.



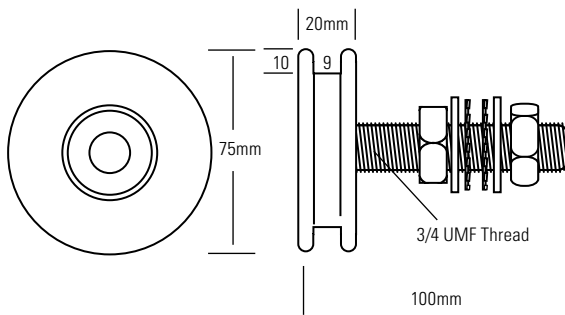
**FOR FURTHER ASSISTANCE ON DOOR SEALS OR ANY OTHER HARDWARE QUESTION CALL BNL SUPPLY ON (02) 9521 2007**

Alternatively email [peter@bnl.com.au](mailto:peter@bnl.com.au) or [david@bnl.com.au](mailto:david@bnl.com.au)

### 75MM WHEEL AND AXLE ASSEMBLY

W15

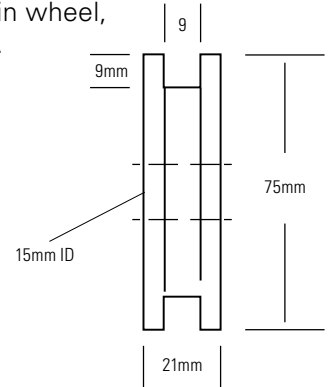
75mm Delrin Roller with stainless steel axle and fittings.



### 75MM DELRIN WHEEL

W11

Australian made 75mm Delrin wheel, 15mm ID bearing and circlip.



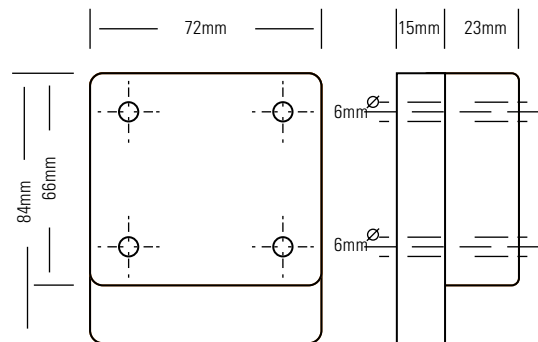
### BLOCK DOOR STOP - INDUSTRIAL TRACK

S10I

Block door stop designed to suit industrial track.

Includes 4 x self drilling screws.

**Dimensions:** 72 x 84 x 38mm  
**Material:** Rubber



FOR FURTHER ASSISTANCE ON DOOR SEALS OR ANY OTHER HARDWARE QUESTION CALL **BNL SUPPLY** ON **(02) 9521 2007**

Alternatively email [peter@bnl.com.au](mailto:peter@bnl.com.au) or [david@bnl.com.au](mailto:david@bnl.com.au)

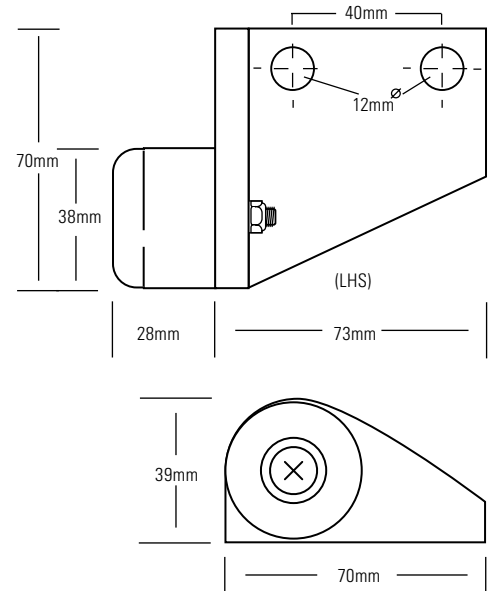
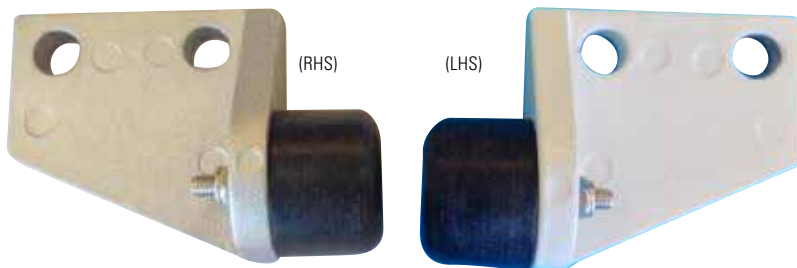


### FIXED OFFSET DOOR STOP

S12L / S12R (S12LW / S12RW)

High pressure die cast aluminium in mill or a powder coated surfmest (W) finish and rubber stop.

Available in left or right hand side.

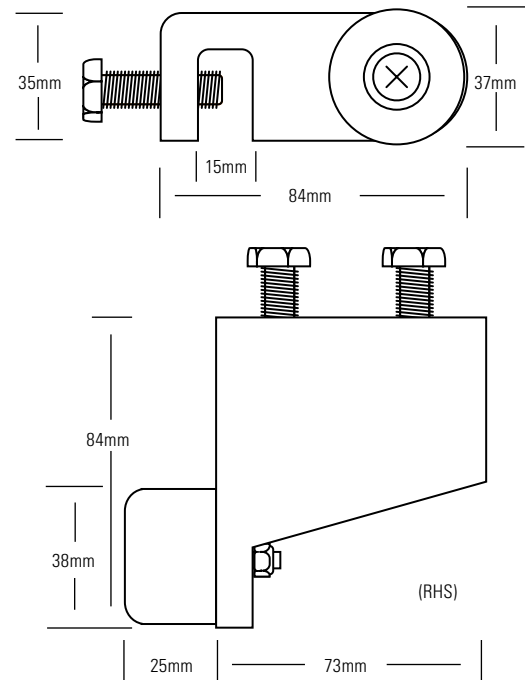
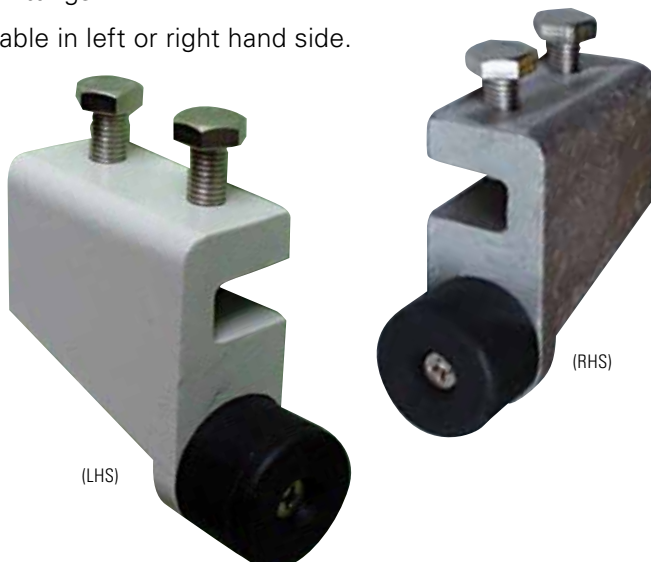


### INLINE ADJUSTABLE DOOR STOP

S08L / S08R (S08LW / S08RW)

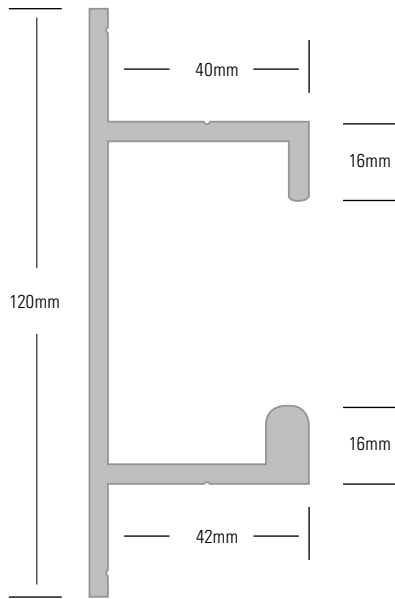
High pressure die cast aluminium mounting in mill or a powder coated surfmest (W) finish with large rubber stop and stainless steel fittings.

Available in left or right hand side.



**FOR FURTHER ASSISTANCE ON DOOR SEALS OR ANY OTHER HARDWARE QUESTION CALL BNL SUPPLY ON (02) 9521 2007**

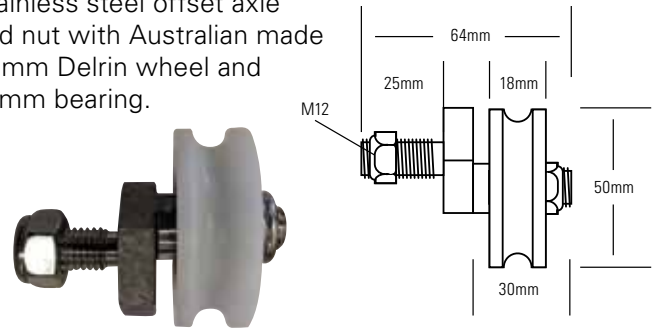
Alternatively email [peter@bnl.com.au](mailto:peter@bnl.com.au) or [david@bnl.com.au](mailto:david@bnl.com.au)



**ECCENTRIC WHEEL ASSEMBLY**

**W21**

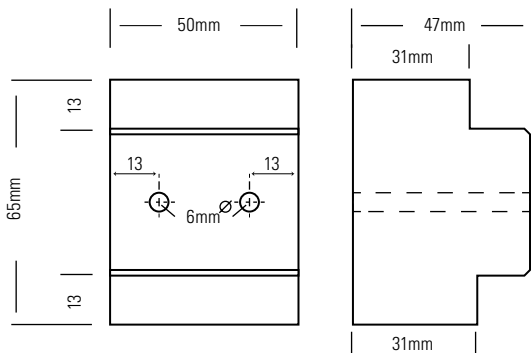
Stainless steel offset axle and nut with Australian made 50mm Delrin wheel and 12mm bearing.



**BLOCK DOOR STOP - THERMAL TRACK**

**S10T**

Block door stop designed to suit thermal track. Includes 2 x self drilling screws.

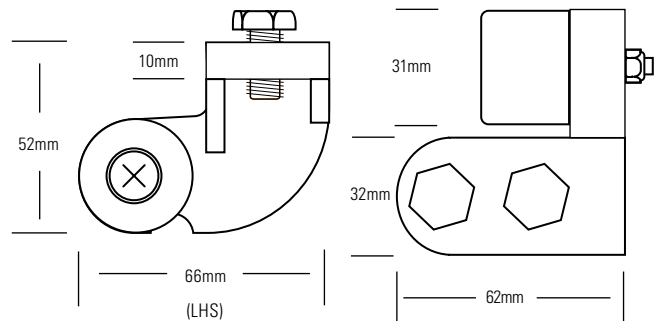
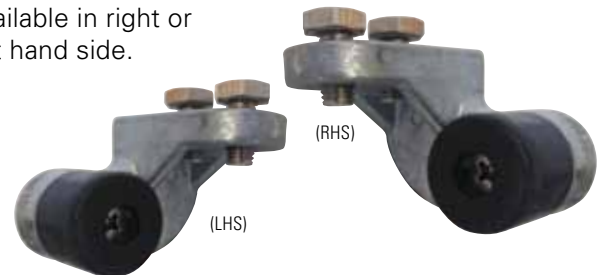


**DOOR STOP - THERMAL TRACK**

**S11L / S11R**

Designed for use on Thermal Installation door track. Supplied with stainless steel fittings.

Available in right or left hand side.



**FOR FURTHER ASSISTANCE ON DOOR SEALS OR ANY OTHER HARDWARE QUESTION CALL BNL SUPPLY ON (02) 9521 2007**

Alternatively email [peter@bnl.com.au](mailto:peter@bnl.com.au) or [david@bnl.com.au](mailto:david@bnl.com.au)